



**APPLICATION VERSE:**  
Ephesians 1:3

**EXPLORE WITH YOUR FAMILY:**

Use everyday opportunities to model grace in front of your children. Place a basket or bucket in a prominent place in your home. Place pencils and index cards beside it. Encourage family members to write different examples of grace they have witnessed or given throughout the week. At the end of the week, read the cards together as a family. You might need to help younger children with this activity by pointing out to them when grace is shown or opportunities to show grace to others are presented.

**TODAY I LEARNED . . .**

Jesus saves us through His gift of grace.

**NEXT STEP**

Have an attitude of gratitude towards God's grace each day.

*I spent time alone with God:*

S M T W Th F S

# EXPLORE



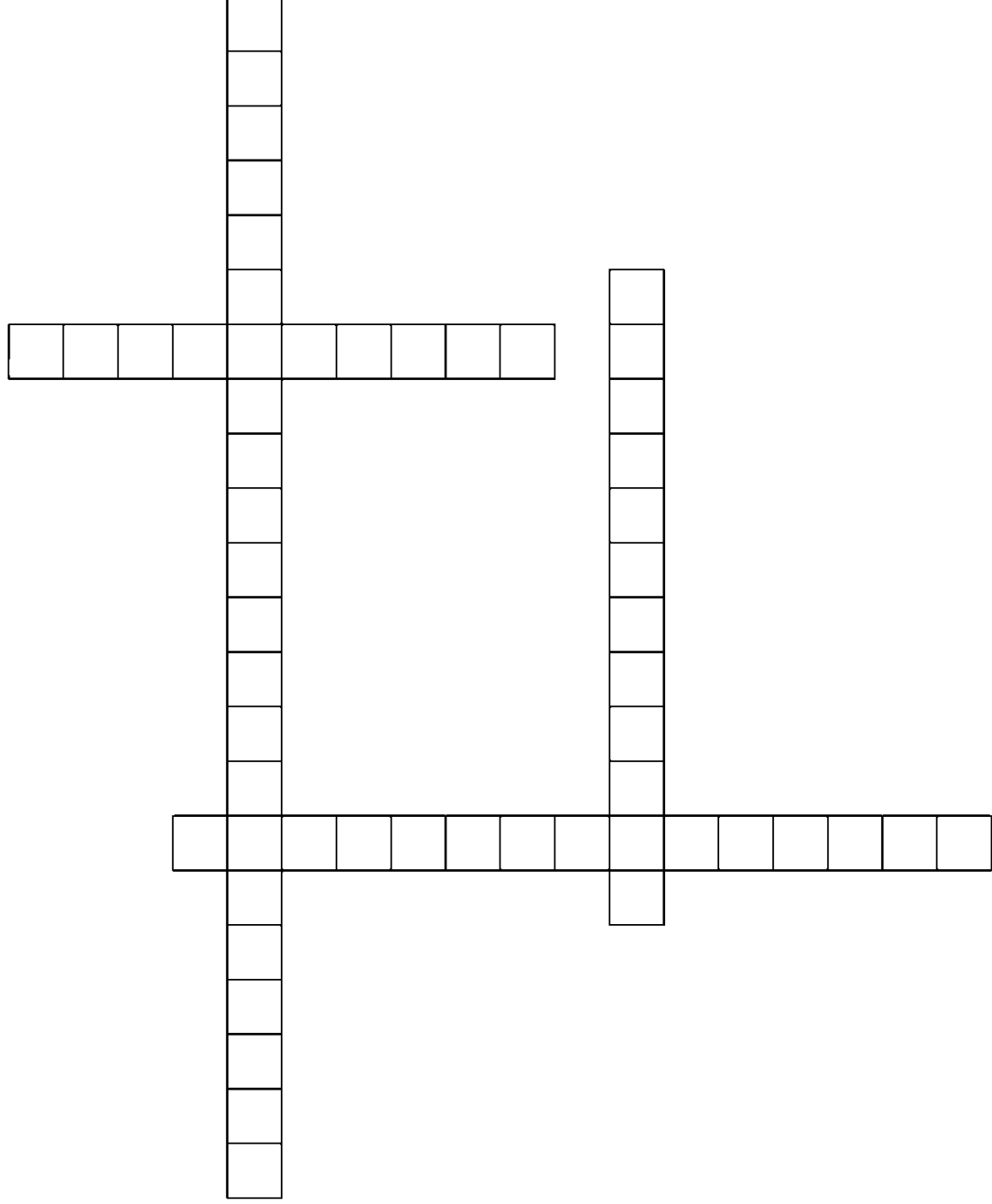
**BIBLE BASICS:**

*What is mankind's relationship with God apart from Christ?* All human beings are made in the image of God. However, because of Adam's fall into sin, all are born with a sinful nature, are guilty before God, and are spiritually separated from Him (Ephesians 2:1-3).

# FIELD NOTES

*Property of*

# TRUTHS FROM GOD'S WORD



How can I show grace to others this week?



**APPLICATION VERSE:**  
Ephesians 1:3

**EXPLORE WITH YOUR FAMILY:**

Have two piles of the same amount of clothing and choose two family members to race against each other to put on the most clothing. Either give a time limit or see who can put on the most clothing in the shortest amount of time. Allow different family members to have a turn. Talk about how we can replace the old way of living by putting on the new way of living in Jesus.

**TODAY I LEARNED . . .**

We are to imitate and follow Jesus' example in all we do.

**NEXT STEP**

I am to imitate and follow Jesus' example in all I do.

*I spent time alone with God:*

S M T W Th F S

# EXPLORE



**BIBLE BASICS:**

*How can a person experience forgiveness of sins?* A person's sins are forgiven, and he is saved when, through faith, he commits his life in obedience to Jesus (Ephesians 1:7) and repents of his sin (Luke 13:3).

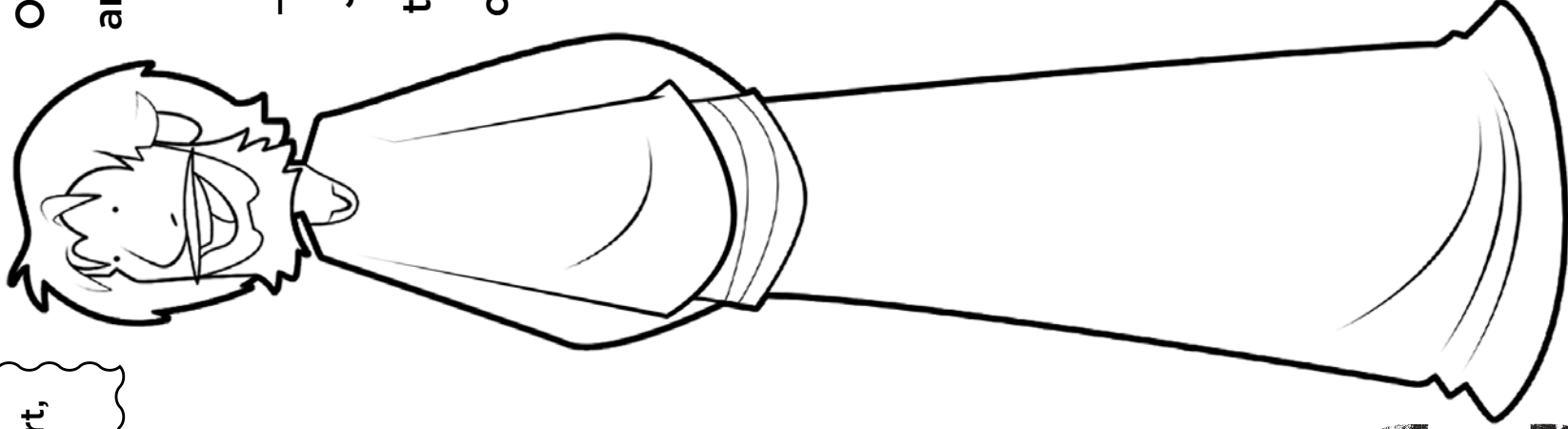
# FIELD NOTES

*Property of*

**Word Bank:**

attitudes, behaviors,  
example, first, follow, heart,  
Jesus, love, shine, time

Our \_\_\_\_\_  
and \_\_\_\_\_  
are to reflect the  
\_\_\_\_\_ of  
Jesus, and we are  
to \_\_\_\_\_  
others as He does.



We are to  
\_\_\_\_\_ Jesus’  
\_\_\_\_\_.

We are to  
\_\_\_\_\_  
our light so  
others can see  
\_\_\_\_\_ in us.

**SOMETHING TO  
THINK ABOUT**



What are some ways I can walk  
in love like Jesus this week?

We are to  
use our  
\_\_\_\_\_   
wisely and put  
God \_\_\_\_\_.



**APPLICATION VERSE:**  
Ephesians 1:3

**EXPLORE WITH YOUR FAMILY:**

Write the name of each person in your family on a piece of paper and place them in a bag. Declare a "Love Your Family Weekend." Each person will choose a name from the bag (but not his or her own) and keep it a secret. Throughout the weekend, family members are to secretly show love to the person whose name they drew. The key is to show love to all family members, so it becomes more difficult to know who has whose name. At the end of the weekend, enjoy a treat together and let everyone try to guess who had his or her name.

**TODAY I LEARNED . . .**

How we treat the people in our family is indicative of our relationship with Jesus.

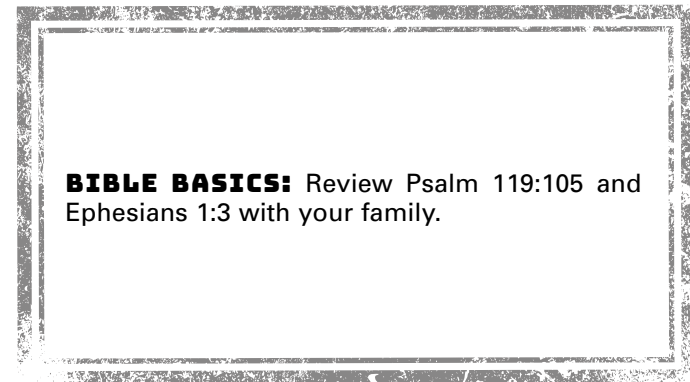
**NEXT STEP**

Show my faith in Christ by loving, respecting, and submitting to my family.

*I spent time alone with God:*

S M T W Th F S

# EXPLORE

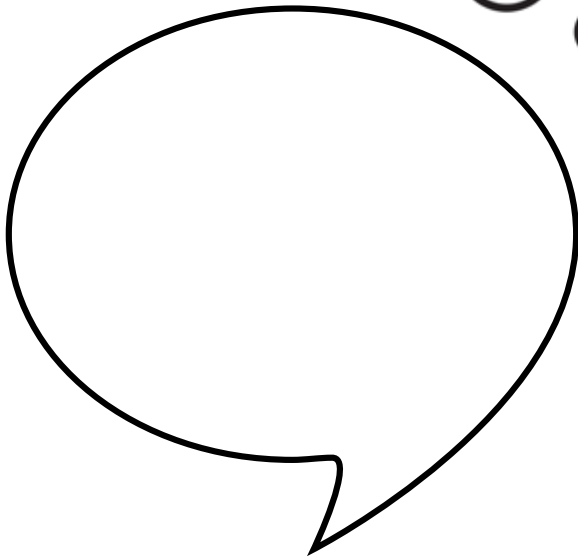
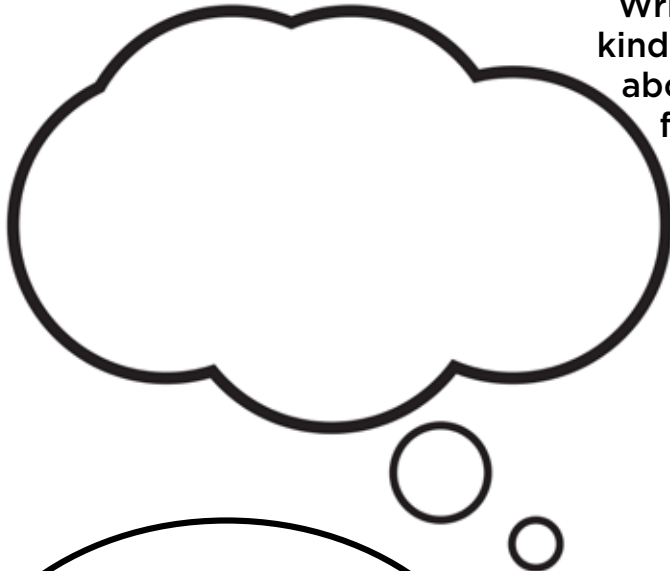


# FIELD NOTES

*Property of*

# Show God's Love at Home

Write some  
kind thoughts  
about your  
family.



Write some  
words that  
show respect  
to your  
family.

Write some ways your actions show your faith  
to God when it comes to your family.



**SOMETHING TO  
THINK ABOUT**

Why do you think it's so important to God that you  
honor, respect, and obey your parents?



**APPLICATION VERSE:**  
Ephesians 6:10-11

**EXPLORE WITH YOUR FAMILY:**

Divide family members into two teams and mark a middle line with painter's tape (or other way). Set a timer for one minute. At the signal to go, let each team throw (one at a time) cotton balls (or paper balls) at the other team. When time is up, count how many are on each side. The team with the lowest number is the winner. Discuss how we are in a spiritual battle and we must be prepared every day to fight against the devil.

**TODAY I LEARNED . . .**

God's armor helps us defend against Satan's schemes.

**NEXT STEP**

Put on the armor of God every day and use the key piece of prayer.

*I spent time alone with God:*

|                          |                          |                          |                          |                          |                          |                          |
|--------------------------|--------------------------|--------------------------|--------------------------|--------------------------|--------------------------|--------------------------|
| S                        | M                        | T                        | W                        | Th                       | F                        | S                        |
| <input type="checkbox"/> | <input type="checkbox"/> | <input type="checkbox"/> | <input type="checkbox"/> | <input type="checkbox"/> | <input type="checkbox"/> | <input type="checkbox"/> |

# EXPLORE

**SCRIPTURE:**  
Ephesians  
6:10-20

**FAMILY THEME:**  
The Whole  
Armor  
of God

**BIBLE BASICS:**

Memorize Ephesians 6:10-11 with your family.

# FIELD NOTES

*Property of*

# Armor of God



\_\_\_\_\_ of

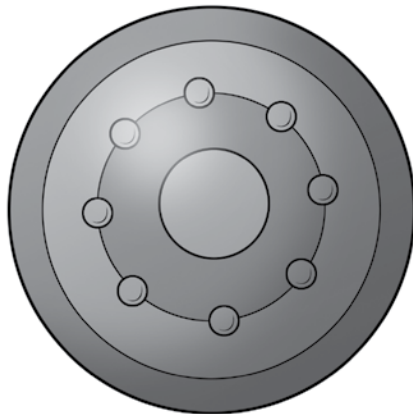


\_\_\_\_\_ of



\_\_\_\_\_ prepared with the

\_\_\_\_\_ of



\_\_\_\_\_ of



\_\_\_\_\_ of



\_\_\_\_\_ – The word of God



Why is prayer so vital to the armor of God?